

Question: How do I crimp a 2pc BNC plug on to a RG59 cable?

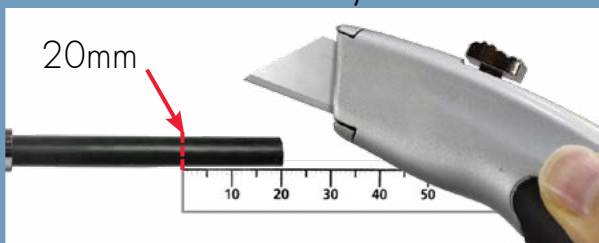
Answer: It's easy to crimp your own BNC plugs and save money on your CCTV installation with just a few tools and by following these 11 simple steps...

STEP BY STEP

CRIMP A 2pc BNC PLUG

- What you need:**
- ✓ **RG59 Co-ax Cable Stripper** Code: TOO900
 - ✓ **2pc BNC Plug** Code: CON460 Pk 100
 - ✓ **Utility Knife** Code: SER150
 - ✓ **RG59 Co-ax Cable** Code: CAB080-100m Roll
 - ✓ **Crimp Tool** Code: TOO980

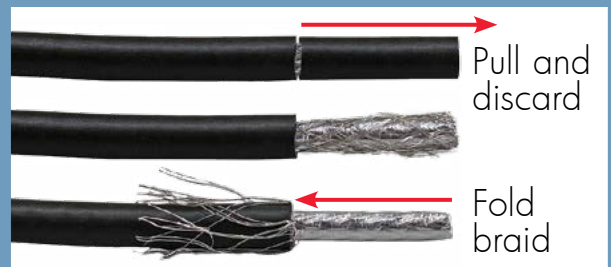
2 Using the utility knife remove the outer sheath from the co-ax 20mm from the end. (Careful not to cut through the wire braid underneath).



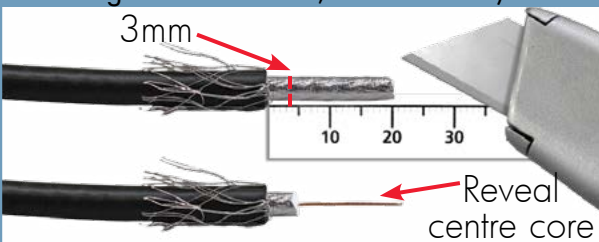
1 Slide the ferrule over the co-ax



3 Discard the waste to reveal the prepared co-ax and fold back the outer wire braid.



4 Using the utility knife remove the inner sheath covering the centre core leaving 3mm. (Careful not to cut through the centre core, discard waste).



5 Using the side cutters trim the centre core leaving 7mm.



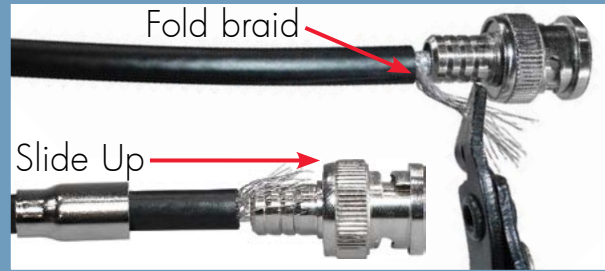
This CCTV installation tip is aimed at helping you to install CCTV equipment. If you are looking for answers on "how to fit CCTV" or perhaps "how to network a DVR or NVR" or even "how to get CCTV on your mobile phone" why not check out our full range of CCTV installation tips at: www.systemq.com

How to guides aim to answer commonly asked questions in a concise and informative manner. They are for advice & guidance only and do not replace any of the manuals or other literature supplied with our products.

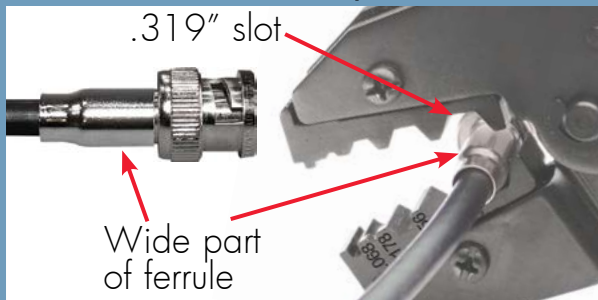
6 Insert the centre core into the BNC until the BNC is flush with the inner sheath.



7 Fold back the braid over the BNC and trim off any excess, slide the ferrule over the BNC.



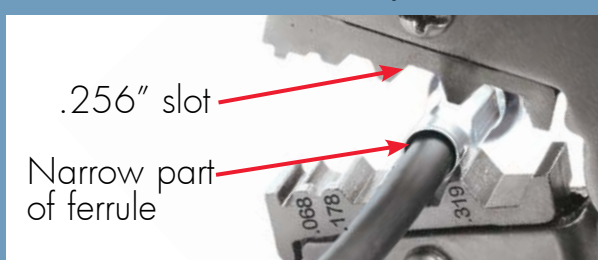
8 Place the wide part of the ferrule & BNC body into the correct slot (.319") on the crimp tool.



9 Squeeze the crimp tool until the mechanism releases.



10 Place the narrow part of the ferrule into the correct slot (.256") on the crimp tool.



11 Holding the co-ax, squeeze the crimp tool until the mechanism releases.



Done!



Have fun **saving money** by crimping your own BNCs easily! Remember to test your cables (in case of any mistakes) for short or open circuits.

This CCTV installation tip is aimed at helping you to install CCTV equipment. If you are looking for answers on "how to fit CCTV" or perhaps "how to network a DVR or NVR" or even "how to get CCTV on your mobile phone" why not check out our full range of CCTV installation tips at: www.systemq.com

How to guides aim to answer commonly asked questions in a concise and informative manner. They are for advice & guidance only and do not replace any of the manuals or other literature supplied with our products.